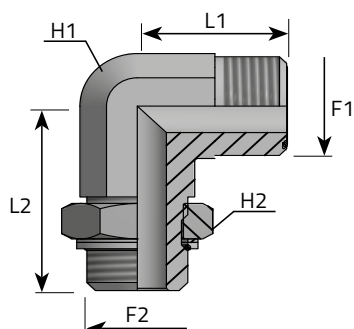


90° ADJUSTABLE ADAPTOR MALE ORFS – MALE BSPP WITH O-RING (1)



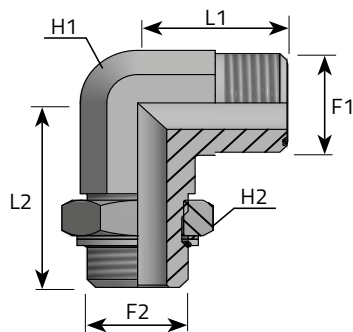
GOMITO 90° MASCHIO ORFS MASCHIO GAS CILINDRICO ORIENTABILE
 ADAPTATEUR ORIENTABLE COUDE 90° MÂLE ORFS– MÂLE BSPP
 ADAPTER 90° GSK – AG-ORFS/ AGR-F MIT O.R. UND HALTER
 CODO 90° ORIENTABLE MACHO ORFS – MACHO BSPP

F1 ORFS

F2 Zylinder-Gasgewinde, Gas cilindrico, BSPP, Gaz cylindrique,
 Gas cilindrica

Code	Thread		Dimensions				Pressure	
	F1	F2	H1	H2	L1	L2	Bar	Psi
			mm	mm	mm	mm		
LM006MOG02	9/16	1/8	14	14	21.5	30	350	5076
LM009MOG04	11/16	1/4	19	19	25	37	315	4568
LM011MOG06	13/16	3/8	22	22	28	38	250	3625
LM013MOG08	1	1/2	27	27	33.5	48	250	3625
LM014MOG12	1.3/16	3/4	30	36	37.5	51.5	250	3625
LM015MOG16	1.7/16	1	36	41	41.5	58.5	200	2900
LM021MOG20	1.11/16	1.1/4	41	50	52	60.5	200	2900
LM032MOG24	2	1.1/2	48	55	49	64	160	2320
LM006MOG04	9/16	1/4	14	19	21.5	35	315	4568
LM006MOG06	9/16	3/8	19	22	23.5	38	250	3625
LM009MOG06	11/16	3/8	19	22	25	38	250	3625
LM009MOG08	11/16	1/2	22	27	28	48	250	3625
LM011MOG04	13/16	1/4	22	19	28	37	315	4568
LM011MOG08	13/16	1/2	22	27	30	48	250	3625
LM011MOG12	13/16	3/4	27	36	31.5	51.5	250	3625
LM013MOG04	1	1/4	27	19	33.5	42.5	315	4568
LM013MOG06	1	3/8	27	22	33.5	42.5	250	3625
LM013MOG12	1	3/4	27	36	33.5	51.5	250	3625

90° ADJUSTABLE ADAPTOR MALE ORFS – MALE BSPP WITH O-RING (2)



GOMITO 90° MASCHIO ORFS MASCHIO GAS CILINDRICO CON O-RING
 ADAPTATEUR ORIENTABLE COUDE 90° MÂLE ORFS- MÂLE BSPP
 ADAPTER 90° GSK – AG-ORFS/ AGR-F MIT O.R. UND HALTER
 CODO 90° ORIENTABLE MACHO ORFS – MACHO BSPP

F1 ORFS

F2 Zylinder-Gasgewinde, Gas cilindrico, BSPP, Gaz cylindrique,
 Gas cilindrica

Code	Thread		Dimensions				Pressure	
	F1	F2	H1	H2	L1	L2	Bar	Psi
			mm	mm	mm	mm		
LMO13MOG16	1	1	33	41	37	58.5	200	2900
LMO14MOG04	1.3/16	1/4	30	19	37.5	43.5	315	4568
LMO14MOG08	1.3/16	1/2	30	27	37.5	49	250	3625
LMO14MOG16	1.3/16	1	33	41	42	55	200	2900
LMO15MOG04	1.7/16	1/4	36	19	41.5	52	315	4568
LMO15MOG12	1.7/16	3/4	36	36	41.5	57.5	250	3625
LMO15MOG20	1.7/16	1.1/4	41	50	50	60.5	200	2900
LMO21MOG16	1.11/16	1	41	41	52	60.5	200	2900
LMO21MOG24	1.11/16	1.1/2	48	55	43.5	67	160	2320