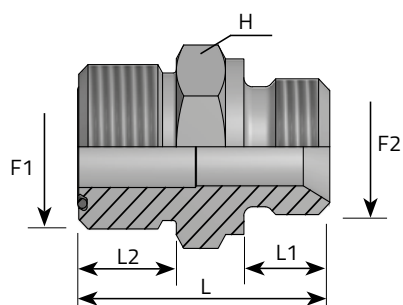


ADAPTOR MALE ORFS - MALE BSPP WITH 60° CONE



ADATTATORE DIRITTO MASCHIO ORFS MASCHIO BSPP SVASATO 60°
 ADAPTEUR MÂLE ORFS - MÂLE BSPP AVEC CÔNE 60°
 ADAPTER AG-ORFS/AG-BSPP MIT 60° KONUS
 ADAPTADOR MACHO ORFS -MACHO BSPP CON CONO 60°

F1 ORFS

F2 Zylinder-Gasgewinde, Gas cilindrico, BSPP, Gaz cylindrique,
 Gas cilindrica

Code	Thread		Dimensions				Pressure	
	F1	F2	H	L1	L2	L	Bar	Psi
			mm	mm	mm	mm		
AM006MG02SV	9/16	1/8	17	8	10	25.5	400	5801
AM009MG04SV	11/16	1/4	19	11	11	31	400	5801
AM011MG06SV	13/16	3/8	22	12	13	34.5	400	5801
AM013MG08SV	1	1/2	27	14	15.5	41	350	5076
AM014MG12SV	1.3/16	3/4	32	16	17	46	315	4568
AM015MG16SV	1.7/16	1	41	19	17.5	51	250	3625
AM021MG20SV	1.11/16	1.1/4	50	20	17.5	54	200	2900
AM032MG24SV	2	1.1/2	55	23	17.5	58.5	160	2320
AM006MG04SV	9/16	1/4	17	11	10	28.5	400	5801
AM006MG06SV	9/16	3/8	17	12	10	29.5	400	5801
AM009MG06SV	11/16	3/8	19	12	11	32	400	5801
AM009MG08SV	11/16	1/2	22	14	11	34.5	350	5076
AM011MG04SV	13/16	1/4	22	11	13	33.5	400	5801
AM011MG08SV	13/16	1/2	22	14	13	36.5	350	5076
AM011MG12SV	13/16	3/4	27	16	13	40.5	315	4568
AM013MG06SV	1	3/8	27	12	15.5	39	400	5801
AM013MG10SV	1	5/8	27	16	15.5	43	350	5076
AM013MG12SV	1	3/4	27	16	15.5	43	315	4568
AM014MG08SV	1.3/16	1/2	32	14	17	44	350	5076
AM014MG16SV	1.3/16	1	41	19	17	50.5	250	3625
AM015MG12SV	1.7/16	3/4	41	16	17.5	48	315	4568
AM015MG20SV	1.7/16	1.1/4	46	20	17.5	54	200	2900