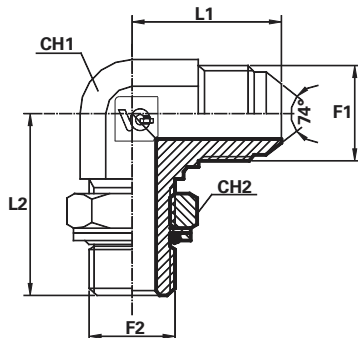


# Gomito 90° Maschio JIC Maschio Gas cilindrico orientabile con O-Ring e ritegno (1)

90° adjustable Adaptor male JIC – male  
BSPP / O-ring and retaining seal  
Adaptateur orientable coude 90° mâle JIC –  
male BSPP / Rondelle d'étanchéité O.Ring  
Adapter 90° GSK – AG-JIC / AGR-F mit O.R.  
und Halter  
Codo 90° orientable macho JIC – macho  
BSPP / Arandela de retención junta torica

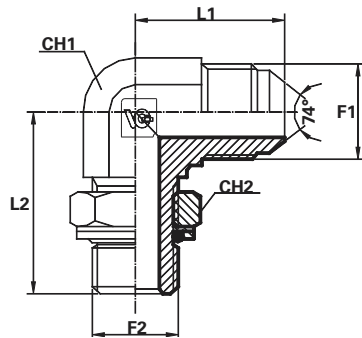


**F1 - JIC**  
**F2 - BSPP**, Gas cylindrique, Zylinder - Gasgewindr,  
Gas cilíndrica

Codice Code Référence Bestell Nr. Código	Filetto Thread Filet Gewinde Rosca		Dimensioni Dimensions Dimensions Masszahlen Dimensiones				PN Bar
	F1	F2	CH1 mm	CH2 mm	L1 mm	L2 mm	
<b>LMJ04MOG02</b>	7/16"	1/8"	14	14	23.5	26	310
<b>LMJ04MOG04</b>	7/16"	1/4"	14	19	24	32	275
<b>LMJ04MOG06</b>	7/16"	3/8"	19	22	29	37	275
<b>LMJ04MOG08</b>	7/16"	1/2"	22	27	31	43	210
<b>LMJ05MOG02</b>	1/2"	1/8"	14	14	25	30	275
<b>LMJ05MOG04</b>	1/2"	1/4"	14	19	25	34	275
<b>LMJ05MOG06</b>	1/2"	3/8"	19	22	29	37	210
<b>LMJ06MOG04</b>	9/16"	1/4"	14	19	27.5	32	275
<b>LMJ06MOG06</b>	9/16"	3/8"	19	22	29.5	37	210
<b>LMJ06MOG08</b>	9/16"	1/2"	22	27	31	45	210
<b>LMJ08MOG04</b>	3/4"	1/4"	19	19	32	38	275
<b>LMJ08MOG06</b>	3/4"	3/8"	19	22	32	37	275
<b>LMJ08MOG08</b>	3/4"	1/2"	22	27	34	45.5	210
<b>LMJ08MOG12</b>	3/4"	3/4"	27	36	36	49	210
<b>LMJ10MOG06</b>	7/8"	3/8"	22	22	36	37.5	210
<b>LMJ10MOG08</b>	7/8"	1/2"	22	27	37	45.5	210
<b>LMJ10MOG12</b>	7/8"	3/4"	27	36	39	49	210
<b>LMJ12MOG08</b>	1".1/16	1/2"	27	27	42	47	210
<b>LMJ12MOG12</b>	1".1/16	3/4"	27	36	42	50	210

# Gomito 90° Maschio JIC Maschio Gas cilindrico orientabile con O-Ring e ritegno (2)

90° adjustable Adaptor male JIC – male  
BSPP / O-ring and retaining seal  
Adaptateur orientable coude 90° mâle JIC –  
male BSPP / Rondelle d'étanchéité O.Ring  
Adapter 90° GSK – AG-JIC / AGR-F mit O.R.  
und Halter  
Codo 90° orientable macho JIC – macho  
BSPP / Arandela de retención junta torica



**F1 - JIC**  
**F2 - BSPP**, Gas cylindrique, Zylinder - Gasgewindr,  
Gas cilindrca

Codice Code Référence Bestell Nr. Código	Filetto Thread Filet Gewinde Rosca		Dimensioni Dimensions Dimensions Masszahlen Dimensiones				PN Bar
	F1	F2	CH1 mm	CH2 mm	L1 mm	L2 mm	
<b>LMJ12MOG16</b>	1".1/16	1"	33	41	47	54.5	210
<b>LMJ16MOG12</b>	1".5/16	3/4"	33	36	47	54.5	170
<b>LMJ16MOG16</b>	1".5/16	1"	33	41	47	53	170
<b>LMJ16MOG20</b>	1".5/16	1".1/4	41	50	52	58	170
<b>LMJ20MOG16</b>	1".5/8	1"	41	41	53	58	140
<b>LMJ20MOG20</b>	1".5/8	1".1/4	41	50	53	58	140