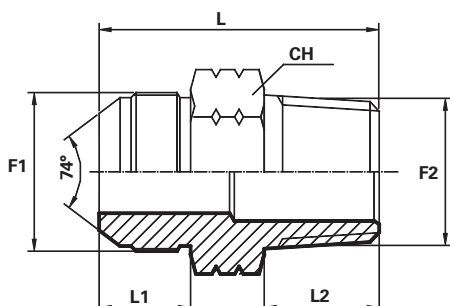


Adattatore diritto Maschio JIC Maschio NPT (1)

Adaptor male JIC - male NPT
Adaptateur mâle JIC - mâle NPT
Adapter AG- JIC / AG-NPT
Adaptador macho JIC -macho NPT

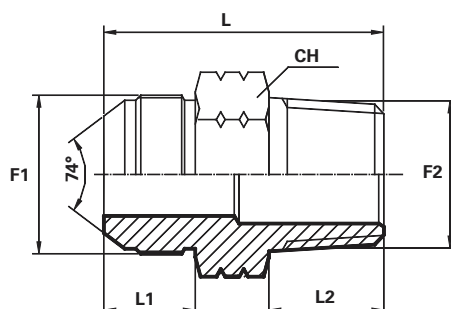


F1 - JIC
F2 - NPT

Codice Code Référence Bestell Nr. Código	Filetto Thread Filet Gewinde Rosca		Dimensioni Dimensions Dimensions Masszahlen Dimensiones				PN Bar
	F1	F2	CH mm	L1 mm	L2 mm	L mm	
AMJ04MN02	7/16"	1/8"	14	14	10	31	345
AMJ04MN04	7/16"	1/4"	14	14	14.5	35.5	345
AMJ05MN02	1/2"	1/8"	14	14	10	31	345
AMJ05MN04	1/2"	1/4"	14	14	14.5	35.5	345
AMJ06MN02	9/16"	1/8"	17	14.1	10	32	345
AMJ06MN04	9/16"	1/4"	17	14.1	14.5	36.5	345
AMJ06MN06	9/16"	3/8"	17	14.1	14.5	36.5	310
AMJ06MN08	9/16"	1/2"	22	14.1	19	41	240
AMJ08MN04	3/4"	1/4"	22	16.7	14.5	39	310
AMJ08MN06	3/4"	3/8"	22	16.7	14.5	39	310
AMJ08MN08	3/4"	1/2"	22	16.7	19	43.5	240
AMJ08MN12	3/4"	3/4"	27	16.7	19	46	240
AMJ10MN06	7/8"	3/8"	24	19.3	14.5	43.5	240
AMJ10MN08	7/8"	1/2"	24	19.6	19	48	240
AMJ10MN12	7/8"	3/4"	27	19.3	19	48.5	240
AMJ12MN08	1".1/16	1/2"	30	21.9	19	52.5	240
AMJ12MN12	1".1/16	3/4"	30	21.9	19	52.5	240
AMJ12MN16	1".1/16	1"	36	21.9	24	57.5	210
AMJ16MN12	1".5/16	3/4"	36	23.1	19	53.5	210
AMJ16MN16	1".5/16	1"	36	23.1	24	58.5	210

Adattatore diritto Maschio JIC Maschio NPT (2)

Adaptor male JIC - male NPT
Adaptateur mâle JIC - mâle NPT
Adapter AG- JIC / AG-NPT
Adaptador macho JIC - macho NPT



F1 - JIC
F2 - NPT

Codice Code Référence Bestell Nr. Código	Filetto Thread Filet Gewinde Rosca		Dimensioni Dimensions Dimensions Masszahlen Dimensiones				PN Bar
	F1	F2	CH mm	L1 mm	L2 mm	L mm	
AMJ20MN16	1".5/8	1"	46	24.3	24	61	170
AMJ20MN20	1".5/8	1".1/4	46	24.3	25	62	170
AMJ24MN20	1".7/8	1".1/4	50	27.5	25	67.5	140
AMJ24MN24	1".7/8	1".1/2	50	27.5	26	68	140