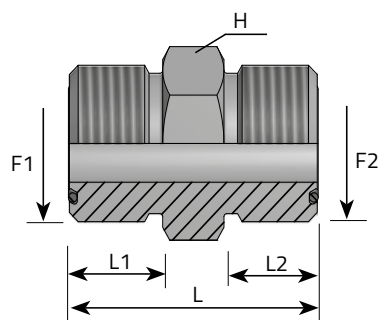


## ADAPTOR MALE ORFS - MALE ORFS



ADATTATORE DIRITTO MASCHIO ORFS MASCHIO ORFS  
 ADAPTATEUR MÂLE ORFS - MÂLE ORFS  
 ADAPTER AG-ORFS/AG-ORFS  
 ADAPTADOR MACHO ORFS - MACHO ORFS

F1 ORFS

F2 ORFS

Code	Thread		Dimensions				Pressure	
	F1	F2	H	L1	L2	L	Bar	Psi
			mm	mm	mm	mm		
AM00606	9/16	9/16	17	10	10	27.5	630	9136
<b>AM00909</b>	<b>11/16</b>	<b>11/16</b>	<b>19</b>	<b>11</b>	<b>11</b>	<b>31</b>	<b>630</b>	<b>9136</b>
AM01111	13/16	13/16	22	13	13	35.5	630	9136
<b>AM01313</b>	<b>1</b>	<b>1</b>	<b>27</b>	<b>15.5</b>	<b>15.5</b>	<b>42.5</b>	<b>420</b>	<b>6091</b>
AM01414	1.3/16	1.3/16	32	17	17	47	420	6091
<b>AM01515</b>	<b>1.7/16</b>	<b>1.7/16</b>	<b>41</b>	<b>17.5</b>	<b>17.5</b>	<b>49.5</b>	<b>420</b>	<b>6091</b>
AM02121	1.11/16	1.11/16	46	17.5	17.5	51.5	280	4060
<b>AM03232</b>	<b>2</b>	<b>2</b>	<b>55</b>	<b>17.5</b>	<b>17.5</b>	<b>53</b>	<b>280</b>	<b>4060</b>
AM00906	11/16	9/16	19	11	10	30	630	9136
<b>AM01109</b>	<b>13/16</b>	<b>11/16</b>	<b>22</b>	<b>13</b>	<b>11</b>	<b>33.5</b>	<b>630</b>	<b>9136</b>
AM01311	1	13/16	27	15.5	13	40	420	6091
<b>AM01409</b>	<b>1.3/16</b>	<b>11/16</b>	<b>32</b>	<b>17</b>	<b>11</b>	<b>41</b>	<b>420</b>	<b>6091</b>
AM01411	1.3/16	13/16	32	17	13	43	420	6091
<b>AM01413</b>	<b>1.3/16</b>	<b>1</b>	<b>32</b>	<b>17</b>	<b>15.5</b>	<b>45.5</b>	<b>420</b>	<b>6091</b>
AM01514	1.7/16	1.3/16	41	17.5	17	49	420	6091
<b>AM02115</b>	<b>1.11/16</b>	<b>1.7/16</b>	<b>46</b>	<b>17.5</b>	<b>17.5</b>	<b>51.5</b>	<b>280</b>	<b>4060</b>