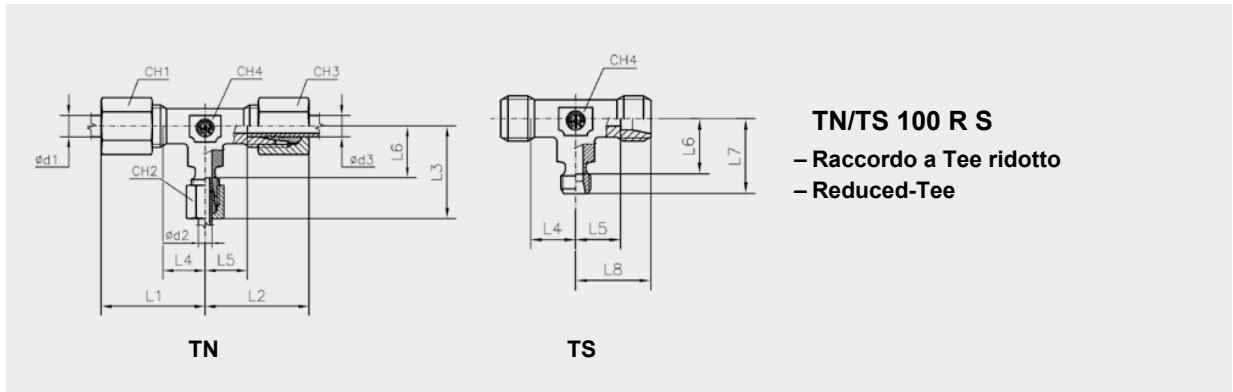


TN/TS 100 R L
 - Raccordo a Tee ridotto
 - Reduced-Tee

Serie Series	Ø Tubo Tube O.D. d ₁	Ø Tubo Tube O.D. d ₂	Ø Tubo Tube O.D. d ₃	PN	L1	L2	L3	L4 L5 L6	L7	L8	CH1	CH2	CH3	CH4	Completo Complete		Peso-Weight kg.×100 P.	
															Articolo Item	Codice Code	Completo Complete	Solo corpo Only body
L	6	8	6	315	29	29	29	12	21	21	14	17	14	12	TN 100 R- 6- 8- 6 L	TN100L06L08L06	6,8	3,0
	8	6	8		29	29	29	12	21	21	17	14	17	12	TN 100 R- 8- 6- 8 L	TN100L08L06L08	7,3	2,9
	6	10	6		30	30	30	15	22	22	14	19	14	14	TN 100 R- 6-10- 6 L	TN100L06L10L06	8,2	4,0
	8	10	8		30	30	30	15	22	22	17	19	17	14	TN 100 R- 8-10- 8 L	TN100L08L10L08	9,4	4,0
	10	6	10		30	30	30	15	22	22	19	14	19	14	TN 100 R-10- 6-10 L	TN100L10L06L10	8,2	3,8
	10	8	10		30	30	30	15	22	22	19	17	19	14	TN 100 R-10- 8-10 L	TN100L10L08L10	9,5	3,9
	10	10	6		30	30	30	15	22	22	19	19	14	14	TN 100 R-10-10- 6 L	TN100L10L10L06	8,9	3,8
	8	12	8		32	32	32	17	24	24	17	22	17	17	TN 100 R- 8-12- 8 L	TN100L08L12L08	11,6	5,4
	12	6	12		32	32	32	17	24	24	22	14	22	17	TN 100 R-12- 6-12 L	TN100L12L06L12	11,8	5,1
	12	8	8		32	32	32	17	24	24	22	17	17	17	TN 100 R-12- 8- 8 L	TN100L12L08L08	11,6	5,6
	12	8	12		32	32	32	17	24	24	22	17	22	17	TN 100 R-12- 8-12 L	TN100L12L08L12	12,2	5,0
	12	10	10		32	32	32	17	24	24	22	19	19	17	TN 100 R-12-10-10 L	TN100L12L10L10	12,1	5,1
	12	10	12		32	32	32	17	24	24	22	19	22	17	TN 100 R-12-10-12 L	TN100L12L10L12	12,6	5,1
	12	12	10		32	32	32	17	24	24	22	22	19	17	TN 100 R-12-12-10 L	TN100L12L12L10	12,5	5,0
	10	15	10		36	36	36	21	28	28	19	27	19	19	TN 100 R-10-15-10 L	TN100L10L15L10	18,1	9,4
	12	15	12		36	36	36	21	28	28	22	27	22	19	TN 100 R-12-15-12 L	TN100L12L15L12	19,0	8,9
	15	6	15		36	36	36	21	28	28	27	14	27	19	TN 100 R-15- 6-15 L	TN100L15L06L15	19,4	9,2
	15	10	15		36	36	36	21	28	28	27	19	27	19	TN 100 R-15-10-15 L	TN100L15L10L15	20,2	9,1
	15	12	12		36	36	36	21	28	28	27	22	22	19	TN 100 R-15-12-12 L	TN100L15L12L12	19,3	8,9
	15	12	15		36	36	36	21	28	28	27	22	27	19	TN 100 R-15-12-15 L	TN100L15L12L15	20,8	9,0
	15	15	12		36	36	36	21	28	28	27	27	22	19	TN 100 R-15-15-12 L	TN100L15L15L12	20,9	9,2
	12	18	12		38,5	40	38,5	23,5	31	31	22	32	22	24	TN 100 R-12-18-12 L	TN100L12L18L12	26,3	13,9
	18	10	10		40	38,5	38,5	23,5	31	31	32	19	19	24	TN 100 R-18-10-10 L	TN100L18L10L10	25,8	14,2
	18	10	18		40	38,5	40	23,5	31	31	32	19	32	24	TN 100 R-18-10-18 L	TN100L18L10L18	29,3	13,9
	18	12	18		40	38,5	40	23,5	31	31	32	22	32	24	TN 100 R-18-12-18 L	TN100L18L12L18	29,7	13,2
	18	15	18		40	38,5	40	23,5	31	31	32	27	32	24	TN 100 R-18-15-18 L	TN100L18L15L18	31,7	13,6
	18	18	10		40	40	38,5	23,5	31	31	32	32	19	24	TN 100 R-18-18-10 L	TN100L18L18L10	29,6	13,8
	22	10	22		44	42,5	44	27,5	35	35	36	19	36	27	TN 100 R-22-10-22 L	TN100L22L10L22	39,4	20,0
	22	12	22		44	42,5	44	27,5	35	35	36	22	36	27	TN 100 R-22-12-22 L	TN100L22L12L22	39,6	19,6
	22	15	15		44	42,5	42,5	27,5	35	35	36	27	27	27	TN 100 R-22-15-15 L	TN100L22L15L15	40,8	22,2
22	15	22	44	42,5	44	27,5	35	35	36	27	36	27	TN 100 R-22-15-22 L	TN100L22L15L22	41,6	19,4		
22	18	18	44	44	44	27,5	35	35	36	32	32	27	TN 100 R-22-18-18 L	TN100L22L18L18	44,0	21,7		
22	18	22	44	44	44	27,5	35	35	36	32	36	27	TN 100 R-22-18-22 L	TN100L22L18L22	43,8	19,2		
22	22	18	44	44	44	27,5	35	35	36	36	32	27	TN 100 R-22-22-18 L	TN100L22L22L18	43,5	19,7		
28	10	28	47	45,5	47	30,5	38	38	41	19	41	36	TN 100 R-28-10-28 L	TN100L28L10L28	55,4	33,4		
28	12	28	47	45,5	47	30,5	38	38	41	22	41	36	TN 100 R-28-12-28 L	TN100L28L12L28	54,4	31,8		
28	15	28	47	45,5	47	30,5	38	38	41	27	41	36	TN 100 R-28-15-28 L	TN100L28L15L28	56,4	31,7		
28	18	28	47	47	47	30,5	38	38	41	32	41	36	TN 100 R-28-18-28 L	TN100L28L18L28	59,4	32,4		
28	22	22	47	47	47	30,5	38	38	41	36	36	36	TN 100 R-28-22-22 L	TN100L28L22L22	61,6	34,1		
28	22	28	47	47	47	30,5	38	38	41	36	41	36	TN 100 R-28-22-28 L	TN100L28L22L28	58,6	30,3		

- Le dimensioni di ingombro si intendono a raccordo chiuso. - Overall sizes are with closed fitting.
- Per ordinare i raccordi in ACCIAIO INOX (AISI 316) sostituire nel codice di ordinazione la lettera "T" con la lettera "I" - To order stainless steel fittings (AISI 316), replace the letter "T" with the letter "I"
- Per ordinare il "solo corpo" sostituire la lettera "N" con la lettera "S" - To order only body replace the letter "N" with the letter "S"



TN/TS 100 R S
 - Raccordo a Tee ridotto
 - Reduced-Tee

Serie Series	Ø Tubo Tube O.D. d ₁	Ø Tubo Tube O.D. d ₂	Ø Tubo Tube O.D. d ₃	PN	L1	L2	L3	L4 L5 L6	L7	L8	CH1	CH2	CH3	CH4	Completo Complete		Peso-Weight kg.×100 P.	
															Articolo Item	Codice Code	Completo Complete	Solo corpo Only body
S	10	6	10	630	34	34	32,5	17,5	25	25	22	17	22	17	TN 100 R-10- 6-10 S	TN100S10S06S10	15,3	7,1
	12	8	8		38	36,5	36,5	21,5	29	29	24	19	19	17	TN 100 R-12- 8- 8 S	TN100S12S08S08	18,1	10,1
	12	8	12		38	38	36,5	21,5	29	29	24	19	24	17	TN 100 R-12- 8-12 S	TN100S12S08S12	19,9	10,3
	12	10	12		38	38	38	21,5	29	29	24	22	24	17	TN 100 R-12-10-12 S	TN100S12S10S12	20,6	10,2
	12	16	12	400	41	41	43	24,5	33	33	24	30	24	24	TN 100 R-12-16-12 S	TN100S12S16S12	32,3	18,0
	16	6	16		43	43	40	24,5	33	33	30	17	30	24	TN 100 R-16- 6-16 S	TN100S16S06S16	32,9	17,3
	16	8	16		43	43	40	24,5	33	33	30	19	30	24	TN 100 R-16- 8-16 S	TN100S16S08S16	33,6	17,3
	16	10	16		43	43	41	24,5	33	33	30	22	30	24	TN 100 R-16-10-16 S	TN100S16S10S16	34,5	17,3
	16	12	16		43	43	41	24,5	33	33	30	24	30	24	TN 100 R-16-12-16 S	TN100S16S12S16	35,1	17,3
	16	20	16		45	45	48	26,5	37	37	30	36	30	27	TN 100 R-16-20-16 S	TN100S16S20S16	50,1	25,6
	20	10	20		48	48	43	26,5	37	37	36	22	36	27	TN 100 R-20-10-20 S	TN100S20S10S20	50,9	25,9
	20	12	20		48	48	43	26,5	37	37	36	24	36	27	TN 100 R-20-12-20 S	TN100S20S12S20	52,1	24,9
	20	16	20		48	48	45	26,5	37	37	36	30	36	27	TN 100 R-20-16-20 S	TN100S20S16S20	55,0	25,3
	20	25	20		51,5	51,5	54	30	42	42	36	46	36	36	TN 100 R-20-25-20 S	TN100S20S25S20	87,6	44,7
	25	16	25	54	54	49	30	42	42	46	30	46	36	TN 100 R-25-16-25 S	TN100S25S16S25	93,6	44,4	
	25	20	25	54	54	52	30	42	42	46	36	46	36	TN 100 R-25-20-25 S	TN100S25S20S25	90,8	44,0	
	25	30	25	60	60	62	35,5	49	49	46	50	46	41	TN 100 R-25-30-25 S	TN100S25S30S25	136,8	70,3	

- Le dimensioni di ingombro si intendono a raccordo chiuso.

- Overall sizes are with closed fitting.

- Per ordinare i raccordi in ACCIAIO INOX (AISI 316) sostituire nel codice di ordinazione la lettera "T" con la lettera "I"

- To order stainless steel fittings (AISI 316), replace the letter "T" with the letter "I"

- Per ordinare il "solo corpo" sostituire la lettera "N" con la lettera "S"

- To order only body replace the letter "N" with the letter "S"